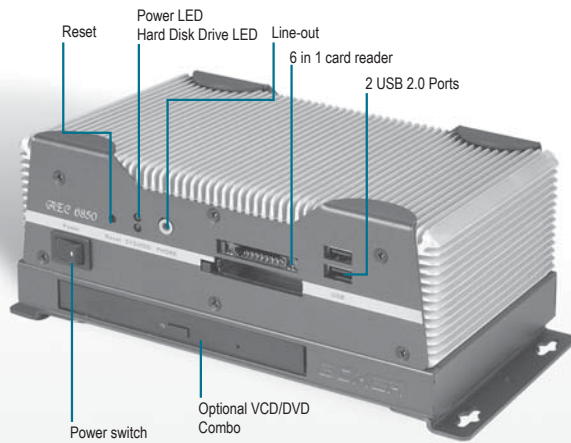


Fanless Embedded Controller with Intel[®] Celeron[®] M Processor, Card Reader



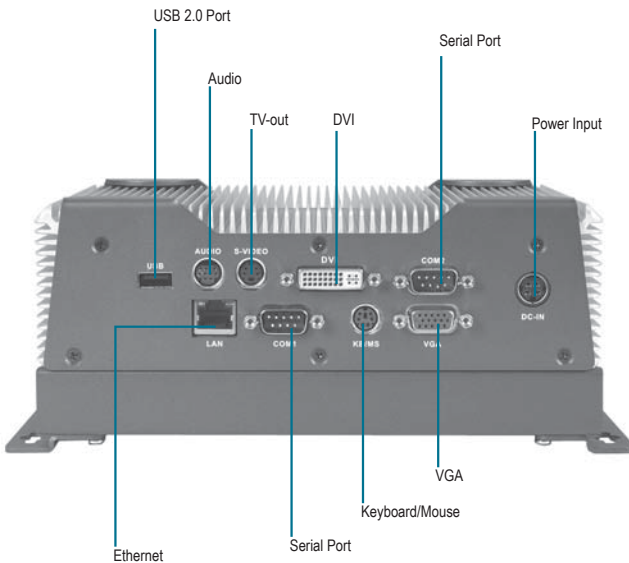
Features

- Fanless Design Intel[®] Celeron[®] M 600 MHz/ 1.3GHz Processor
- 6 in 1 Card Reader
- 2 COM/ TV-out/ USB 2.0/ Ethernet/ DVI
- Optional Multiple Drive Bays
- Optional VCD/DVD Combo



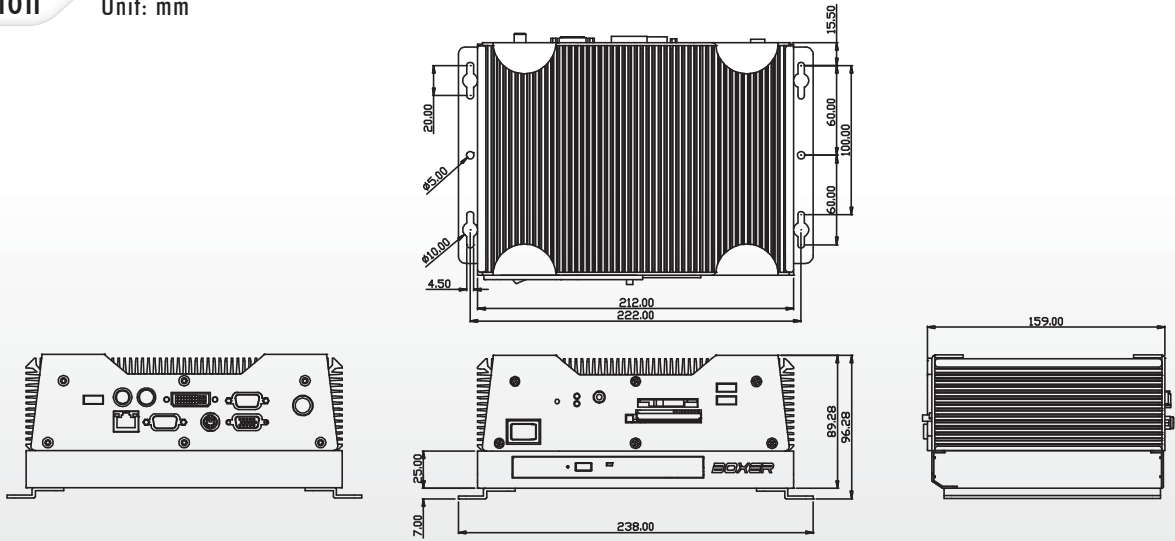
Specifications

| System | |
|----------------------|---|
| Processor | Intel [®] ULV Celeron [®] 600MHz/1.3GHz Processor |
| System Memory | DDR SDRAM DIMM x 1, Max. 1 GB (Optional) |
| VGA/ Keyboard/ Mouse | DB-15 VGA Connector x 1, PS/2 Keyboard & Mouse |
| Ethernet | 10/100Base-TX RJ-45 connector x 1 |
| SSD | 6-in-1 card reader (CompactFlash [™] , Secure Digital, Multi-Media Card, Memory Stick (PRO) and Smart Media), Type II CompactFlash [™] slot x 1 |
| Hard Disk Storage | Optional 2.5" Slim Hard Disk Drive + Slim CD ROM Module, Optional 3.5" Hard Disk Drive Module, Optional Dual 2.5" Slim Hard Disk Drive Module |
| Serial Port | RS-232 x 1, RS-232/422/485 x 1 |
| Audio | Mic-in/ Line-in/ Line-out, by external cable |
| USB | 3 USB 2.0 ports |
| DVI | DVI out connector x 1 |
| TV-out | RCA and S-video |
| IEEE 1394 | Optional IEEE 1394 port x 1 |
| Wireless LAN | Optional WLAN kit (802.11b/g) |
| System Control | Power on/ off switch x 1, Reset button x 1 |
| LED Indicator | Power LED x 1, Hard Disk Drive active LED x 1 |
| Watchdog Timer | Generates a time-out system reset, setting via software |
| Power Supply | AC model: (105W AC-DC adapter) Output rating: 105W Input voltage: 100V AC ~ 240V AC@50 ~ 60Hz Output voltage: 15@7A |
| | DC model: Input voltage: DC 9V~ 30 V (5A~1.5A) with 3-pin phoenix connector |
| OS Support | Windows [®] CE .NET 5.0, Windows [®] XP Embedded, Windows [®] XP, Windows [®] 2000 |
| Mechanical | |
| Construction | Rugged Aluminum Alloy chassis |
| Color | Dark Blue |
| Mounting | DIN Rail, Wallmount |
| Dimension | 8.35" (W) x 2.53" (H) x 6.26" (D) (212mm x 64mm x 159mm) |
| Net Weight | 5.57 lb (2.53 kg) |
| Gross Weight | 10.34 lb (4.7kg) |



Dimension

Unit: mm



| Environmental | |
|-----------------------|--|
| Operating Temperature | 5°F ~ 140°F (-15°C ~ 60°C)--- Celeron® M 600 MHz/CFD 5°F ~ 122°F (-15°C ~ 50°C)--- Celeron® M 600 MHz/Hard Disk Drive 5°F ~ 122°F (-15°C ~ 50°C)--- Celeron® M 1.3GHz/CFD 5°F ~ 113°F (-15°C ~ 45°C)--- Celeron® M 1.3GHz/Hard Disk Drive |
| Operating Humidity | 5~95%@40°C, non-condensing |
| Vibration | 5 g rms/ 5 ~ 500Hz/ random operation (CFD) 1 g/ 5 ~ 500Hz/ random operation (Hard Disk Drive) |
| Shock | 100g peak acceleration (11 msec. duration) (CFD) 15g peak acceleration (11 msec. duration) (Hard Disk Drive) |
| EMC | CE/FCC class A |

Ordering Information

- **AEC-6850-A1**
Embedded Controller, Intel® Celeron® M 1.3GHz CPU, Fanless, AC, Card reader, TV-out, DVI, ATX mode
- **AEC-6850-A2**
Embedded Controller, Intel® Celeron® M 600MHz CPU, Fanless, AC, Card reader, TV-out, DVI, ATX mode
- **AEC-6850-A3**
Embedded Controller, Intel® Celeron® M 1.3GHz CPU, Fanless, DC 9-30V, Card reader, TV-out, DVI, AT mode
- **AEC-6850-A4**
Embedded Controller, Intel® Celeron® M 600MHz CPU, Fanless, DC 9-30V, Card reader, TV-out, DVI, AT mode

Optional Accessories

- **9741685001**
Slim CD ROM + 2.5" Hard Disk Drive kit
- **9741685002**
3.5" Hard Disk Drive kit
- **9741685003**
Dual 2.5" Hard Disk Drive kit
- **1702031830**
Power Cord (US type)
- **1702031831**
Power Cord (European type)
- **9681681000**
USB to Parallel Port Adapter Kit
- **9789666605**
USB to 4 Serial Ports Converter
- **9789666606**
USB to 2 Serial Ports Converter
- **9741081006**
Easy I/O Module
- **9741681007**
UPS Battery Module
- **9789666614**
GPS Module
- **9741666646**
Wireless LAN kit

01

Medical Station Solutions - ONYX Series

02

Medical Display Solutions - ONYX Series

03

Operator Panel Solutions - OMNI Series

04

Robust Panel PC Solutions

05

Embedded Controller - BOYER S Series

06

Embedded Controller - BOYER Series

07

Industrial Monitor Solutions

08

Sun-readable & Vehicle LCD Monitors

09

Industrial Workstation Solutions

10

Common Accessories